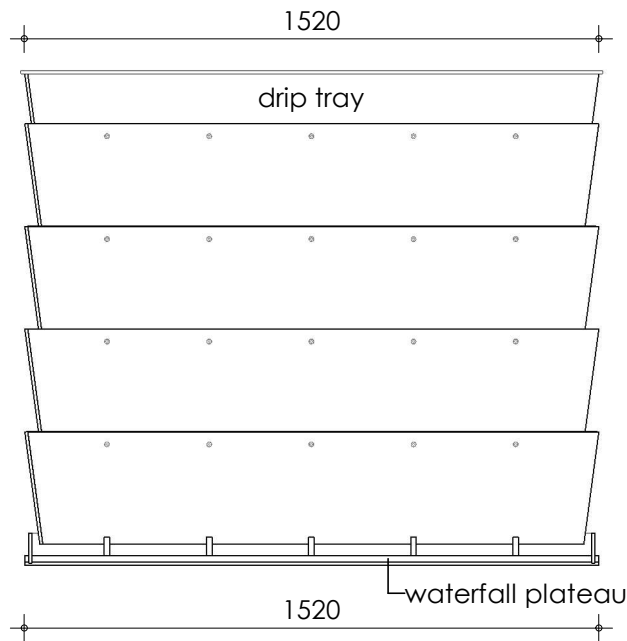
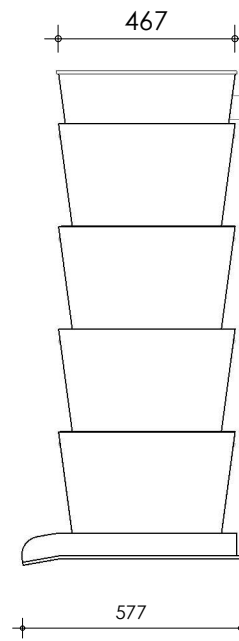


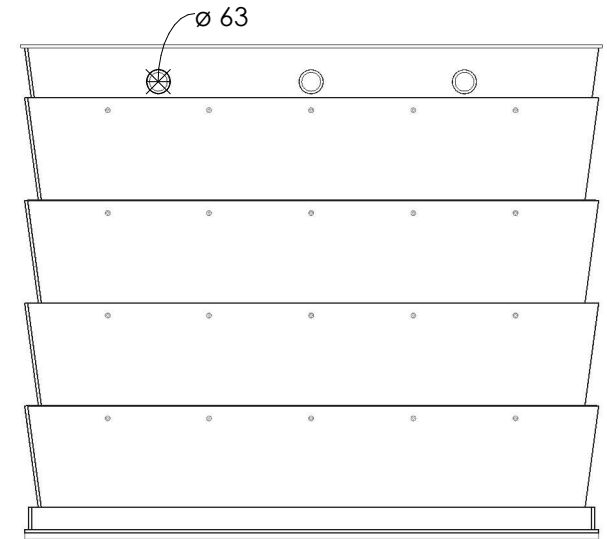
Left-side view



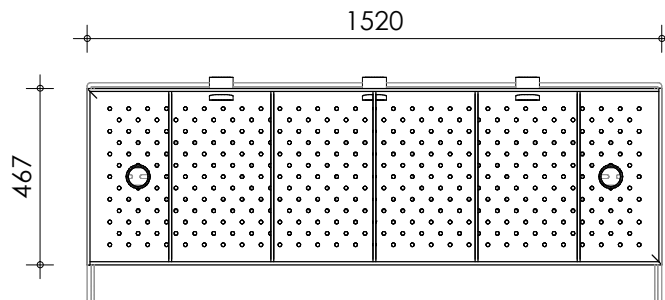
Front view



Right-side view



Rear view



Top view

Filter media

Bacteria House - 1232 rods (8 boxes)

description:
TF150 - Trickle filter - drip tray /
waterfall plateau

scale :
1 : 20

date/version :
v.3

